

All Kits include spray controller, bracket and hardware, 6m tractor breakaway cable, 10m sprayer loom, wheel sensor and magnet, and 5m wheel sensor cable.

24V1/5-3

24V1 Spray Controller - 3 Section Kit Includes ; 24V1 Terminal, Bracket & Mounting hardware. Tractor Breakaway cable (6m), Sprayer wiring loom (10m), Wheel sensor and magnet, Sensor extension cable (5m).

Note: Second Spray line & 4/5 section wiring points are not available on 3 section kits.

24V1/5-5

24V1 Spray Controller - 5 Section Kit Includes ; 24V1 Terminal, Bracket & Mounting hardware. Tractor Breakaway cable (6m), Sprayer wiring loom (10m), Cable Junction box. Wheel sensor and magnet, Sensor extension cable (5m).

Note: Junction Box provides connection points for single second spray line, dump valve and foam marker solenoids.

Individual second spray line requires additional AC-24V/J/25L-XX Loom

Valve Banks :

AA-24V1/C - Control Valve / PRV / Flow Sensor

AA-24V1/3 - Control Valve / PRV / Flow sensor / 3 Section Valves

AA-24V1/5 - Control Valve / PRV / Flow sensor / 5 Section Valves

OPTIONS

AA-114 Pressure Sensor
0-600kpa/150psi maximum

AH-602/G Section/Dump Valve (No Tail)

AC-24V1/J/25L Split Second Spray line Loom

1009P Tail shaft Sensor Kit
Fits to tail shaft of 4WD vehicle for speed readout

3013 GPS Speed Sensor Kit
True ground speed adapter for GPS

22QA QALink
The complete spray diary that runs on your office computer, available free of charge from Fairport.

Please contact your Farmscan Dealer to discuss valve requirements for dump and second spray line options.

Controller specifications:

power	12-13.8v DC
memory	non volatile
serial port	RS-485
flow sensor	10-100Lpm/2.6-26Gpm
pressure	10bar/145psi maximum
inlet	1" bsp male
flow control valve	7 sec open-close
section valves	0.6 sec open-close
pressure relief	1" bsp 200Lpm 53Gpm maximum

specifications subject to change without notice

Supported Languages : English, Russian, Italian

24V1

Total control of spraying operations

advanced features
simple to operate
great flexibility

FLEXIBILITY IN THE FIELD

Up and down hills or through boggy conditions, the spray controller 24V1 compensates for changes in speed, pump pressure or section shutdown to maintain the target rate you select.

For heavy and light weed patches, you can increase or decrease rates on-the-go and a master switch gives instant stop/start control at headlands or when refilling.

The left/right foam marker switch is available to control air/liquid solenoid valves.

ADVANCED FEATURES

Selectable display format

You can choose any four main display options, so the information you need can be viewed without pressing buttons.

Display Options	Metric	Imperial
Application rate	L/Ha	G/Ac
Flow rate	L/min	G/min
Speed	Kph	Mph
Work rate	Ha/Hr	Ac/Hr
Distance	Kilometres	Miles
Pressure*	Kpa/Bar	Psi
Volume used	Litres	Gallons
Area covered	Hectares	Acres

* requires optional pressure sensor

Status light

A clever status light tells the operator at a glance when the sprayer is operating 100% on target. In the event of any change, a red light and audible alarm is activated.

Message bar

The message bar assists the operator with simple instructions when calibrating, displays warning messages and provides advice on corrective action.

Calibration lockout

Set-up and calibration options can be locked out to avoid unauthorised tampering.

Second sprayline

The optional second sprayline is activated automatically when the first sprayline reaches maximum pressure.

The benefits of second sprayline have been proven in the field. Operators can now:

- Work faster when conditions allow.
- Change rates without changing nozzle size.
- Get better weed kill through better coverage.
- Reduce drift with lower spray pressures.

Multi-step control

A new system that works with different size nozzles in each sprayline.

The controller automatically selects first, second or both spraylines to maintain the best working pressure.

This results in smoother transition from one line to the other and even greater flexibility in rates and working speeds.

Slow hold

When slowing at headlands or around obstacles, the slow hold facility avoids pressure drop and loss of spray coverage by automatically holding the control valve at a minimum operating pressure.

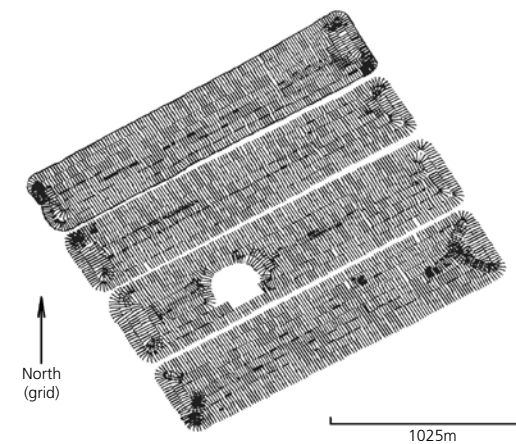
QUALITY ASSURANCE

In consideration of future quality assurance demands, spray records for up to 10 trips are maintained with time/date stamping.



GPS CONTROL AND COVERAGE MAPPING

The 24V1 spray controller has a bi-directional serial port ready to connect with a range of guidance systems, allowing auto boom switching, coverage mapping and live reporting. *(Additional hardware is required)*



CONTROL OPTIONS

The standard spray controller 24V1 kit is supplied with a 3 or 5 section control bank including pressure relief valve (PRV), proportional flow control valve, precision flow sensor and motorised section control valves to suit boom sprayers and low volume horticultural sprayers.

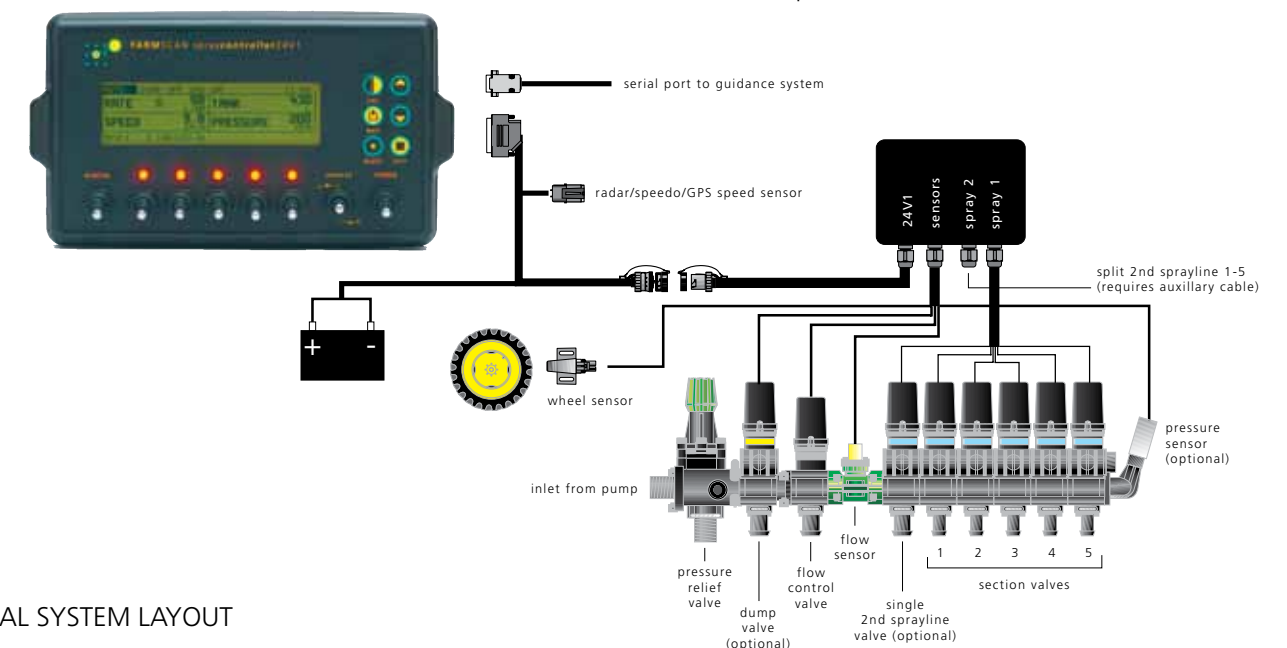
Alternative control valves and sensors are available for high volume airblast and ultra low volume applications.

An optional dump valve is available to divert pump delivery back to the tank whenever the master switch or section valves are switched off. (This is highly recommended if using a diaphragm pump)

A second sprayline can be set up as a single section or split sections using multiple section valves.

The optional pressure sensor is available to provide a pressure read-out and pressure-based control of the slow hold and second sprayline functions.

The controller will accept radar, magnetic wheel sensor (standard), speedo drive cable sensor, or GPS speed sensor.



TYPICAL SYSTEM LAYOUT